

DS-2CE16H5T-ITE

5 MP Ultra-Low Light PoC Bullet Camera



Key Features

- 5 MP high performance COMS
- Ultra-low light
- 2560 × 1944 resolution
- 2.8 mm, 3.6 mm, 6 mm fixed focal lens
- EXIR 2.0, smart IR, up to 20 m IR distance
- OSD menu, DNR, DWDR
- IP67
- PoC.af
- Up the coax (HIKVISION-C)

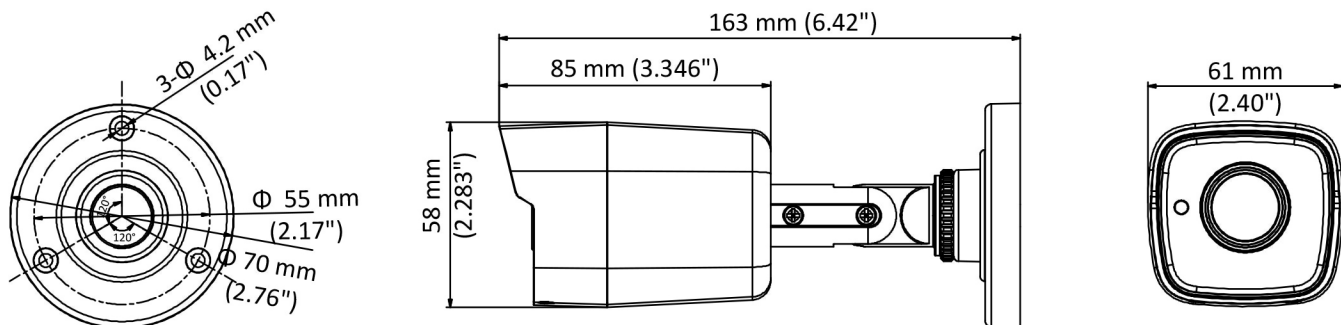
Specification

Camera	
Image Sensor	5 MP CMOS image sensor
Resolution	2560 (H) × 1944 (V)
Min. illumination	Color: 0.008 Lux @ (F1.2, AGC ON), 0 Lux with IR
Shutter Time	PAL: 1/25 s to 1/50, 000 s NTSC: 1/30 s to 1/50, 000 s
Lens	2.8 mm, 3.6 mm, 6 mm fixed focal lens
Horizontal Field of View	91° (2.8 mm), 70° (3.6 mm), 45° (6 mm)
Lens Mount	M12
Day & Night	IR cut filter
Angle Adjustment	Pan: 0° to 360°; Tilt: 0° to 180°; Rotate: 0° to 360°
Synchronization	Internal synchronization
Frame Rate	2560 × 1944@20fps, 2560 × 1944@12.5fps 2560 × 1440@30fps, 2560 × 1440@25fps (default) 1920 × 1080@30fps, 1920 × 1080@25fps <i>* Under the PoC mode, 2560 × 1944@12.5fps is not available.</i>
Menu	
AGC	Support
D/N Mode	Auto/Color/BW (Black and White)
White Balance	ATW/MWB
BLC	Support
DWDR (Digital Wide Dynamic Range)	Support
Language	English, Chinese
Functions	Brightness, Sharpness, DNR, Mirror, Smart IR
Interface	
Video Output	1 HD analog output
General	
Operating Conditions	-40 °C to 60 °C (-40 °F to 140 °F), humidity: 90% or less (non-condensation)
Power Supply	12 V DC ±25%/PoC.af
Power Consumption	Max. 4.5 W
Protection Level	IP67
Material	Metal
IR Range	Up to 20 m
Communication	Up the coax, Protocol: HIKVISION-C (TVI output)
Dimensions	58 mm × 61 mm × 163 mm (2.28" × 2.40" × 6.42")
Weight	Approx. 350 g (0.77 lb.)

Order Models

DS-2CE16H5T-ITE

Dimension



Accessory



DS-1280ZJ-XS
Junction Box



DS-1H18
Video Balun